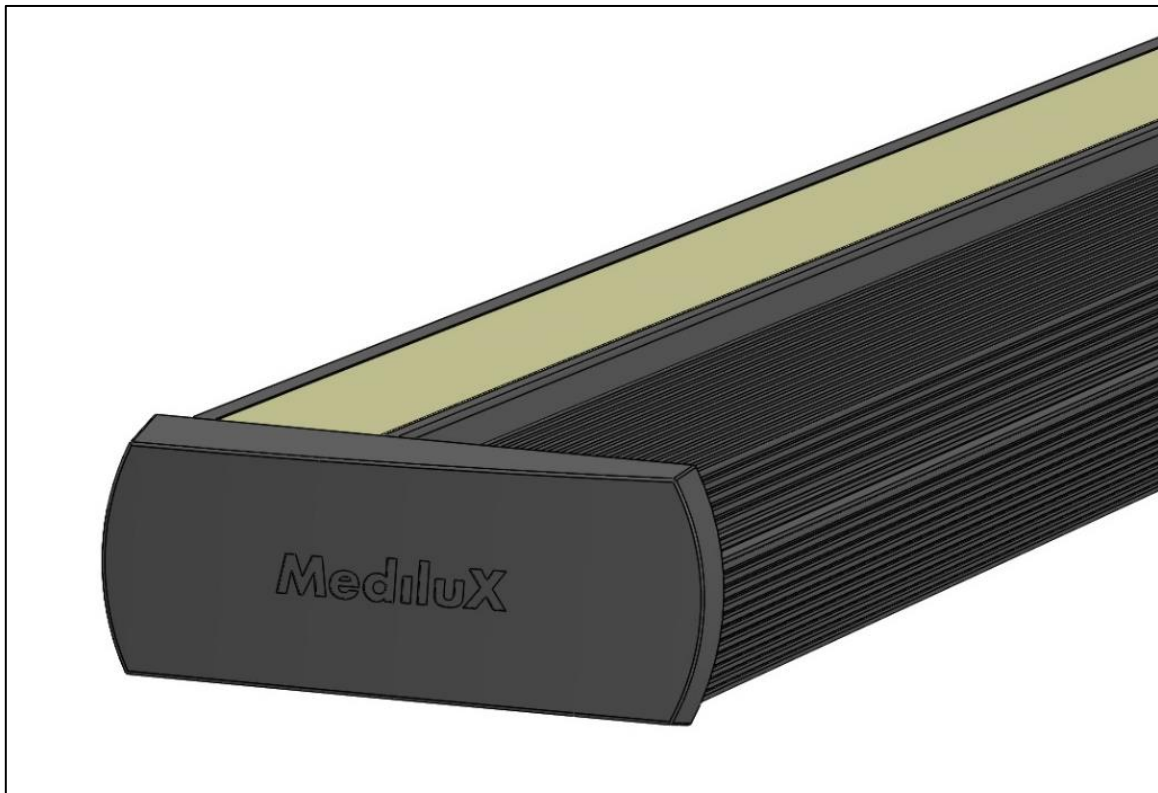


Medilux

Medilux 24/7 Desk Solution

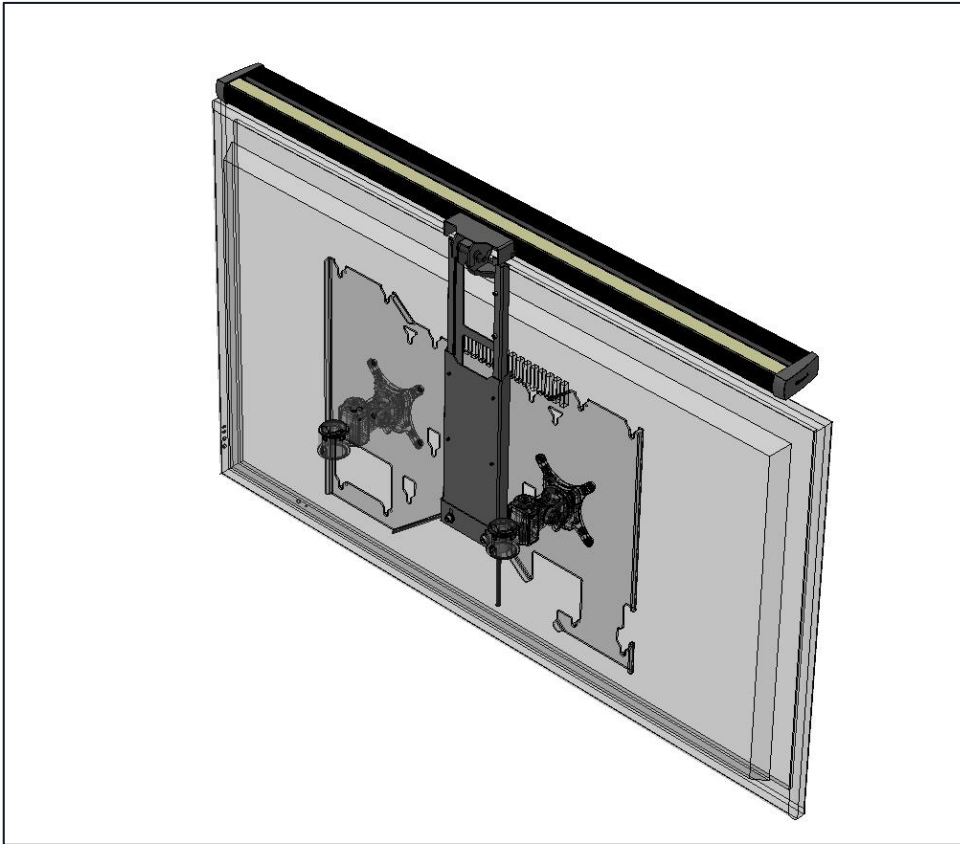
User Manual / Installation Guide

- Addendum for fixed bracket -



January 2021

Mounting of fixed bracket and luminaire

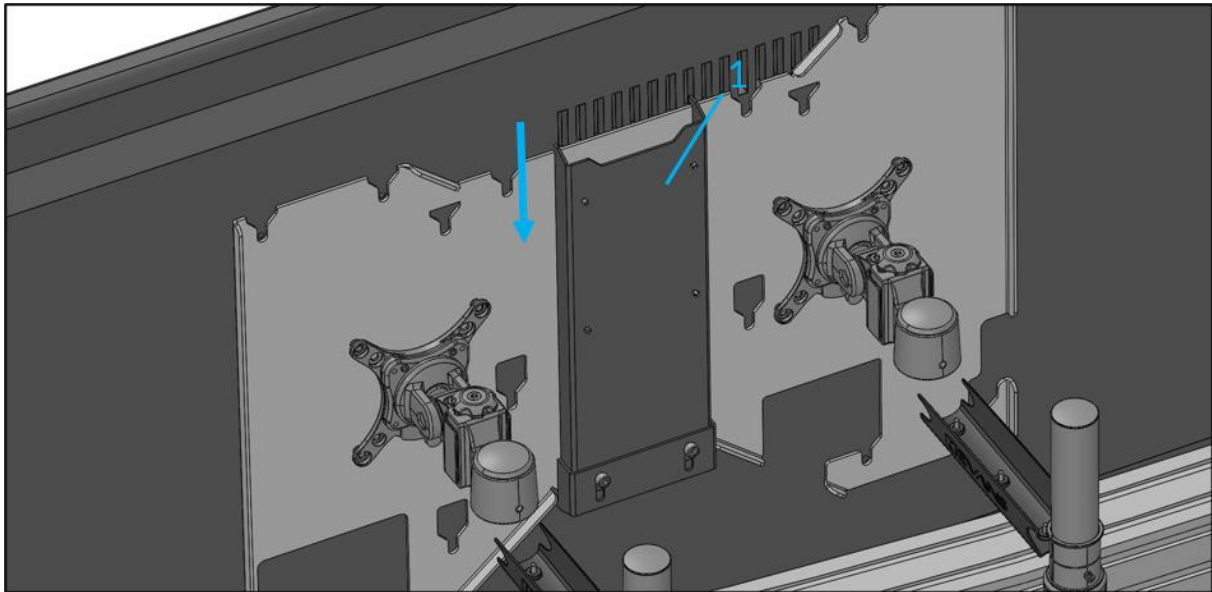


Prior to mounting the luminaire please ensure the different parts of the bracket have been pre-assembled as much as possible.

	<p>BEWARE: Because of the weight and length, it is recommended that this will be performed by two people.</p>
	<p>BEWARE: To fix the bracket on the backplate, it is recommended to disassemble the glass warning screens</p>

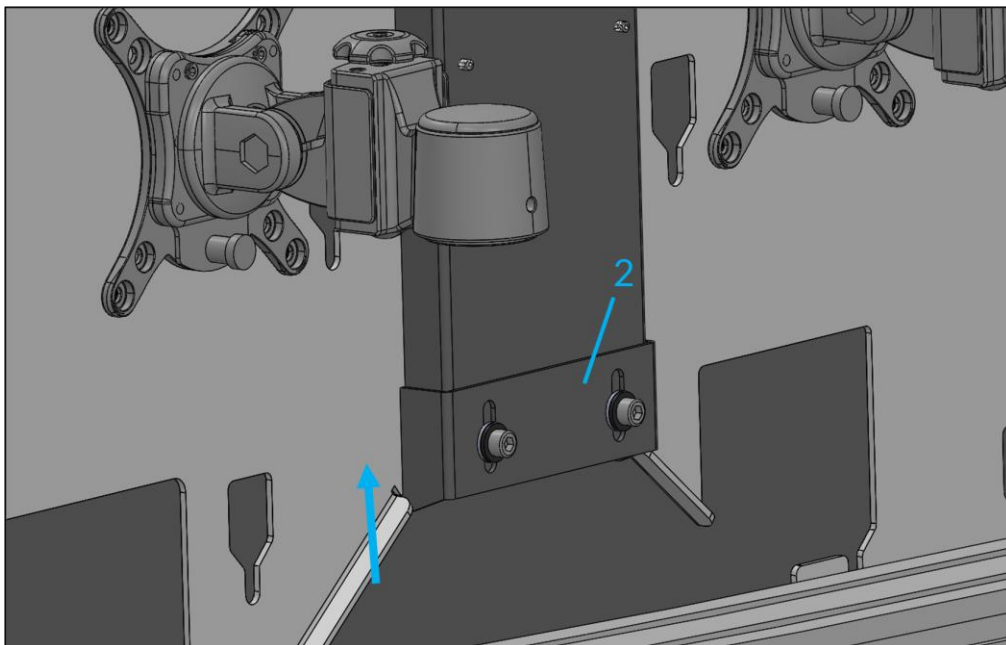
Step 1

Hook the big mounting plate (Article 1) to the console backplate



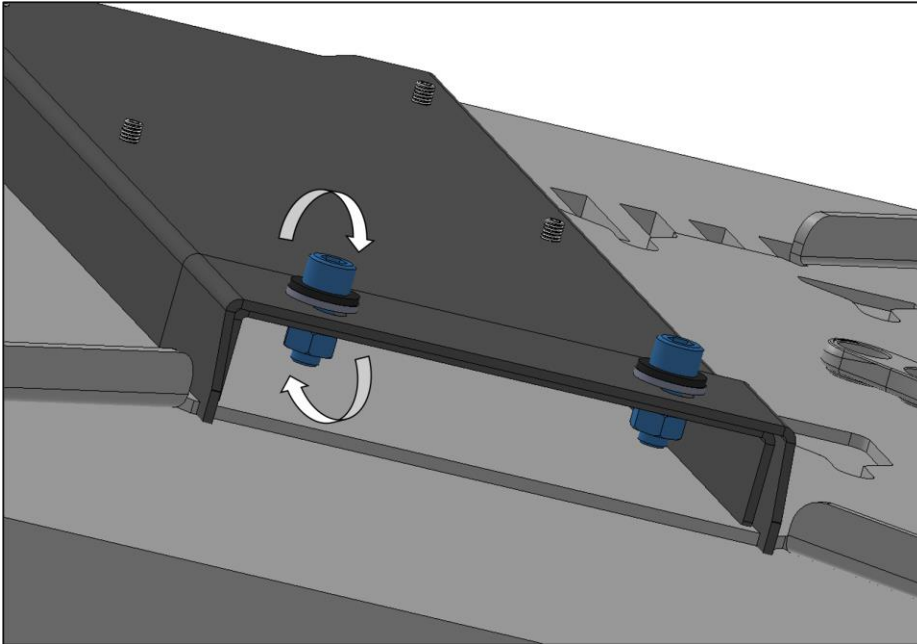
Step 2

Fix the two plates by sliding up Article 2 and also clamping it to the backplate



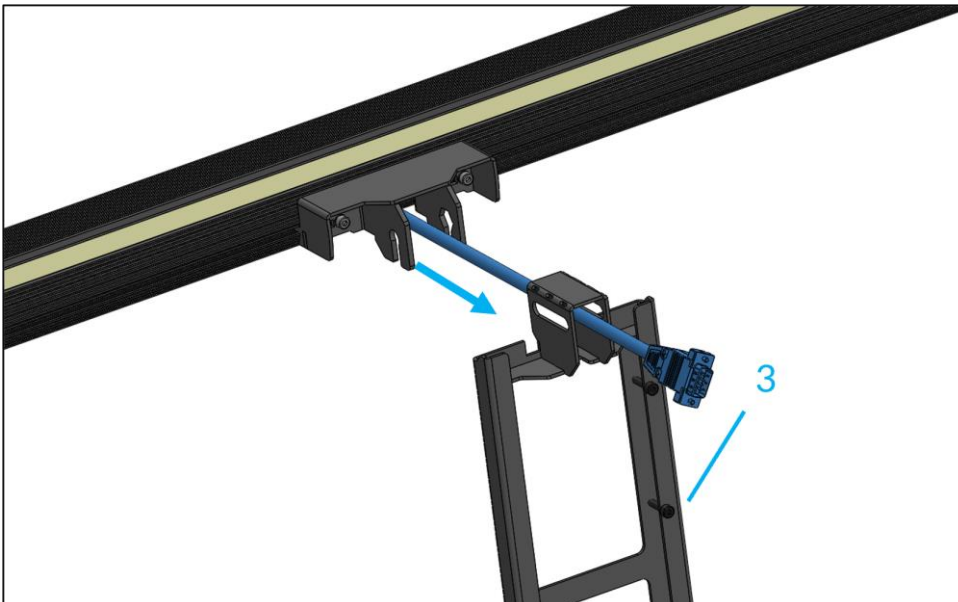
Step 3

Fix Article 2 by tightening the two bolts. (BZK5)



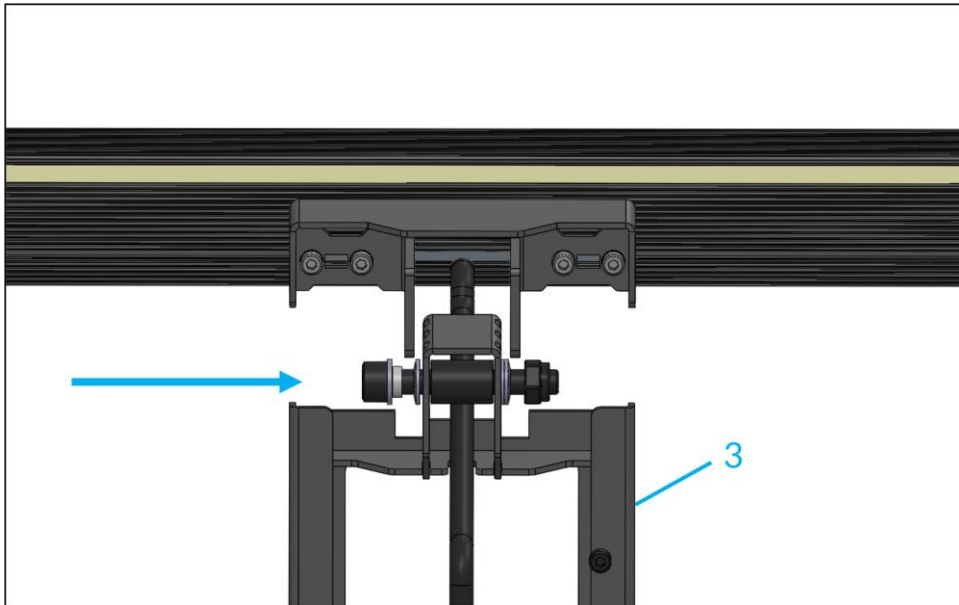
Step 4

Guide the cable through the bracket (Article 3)



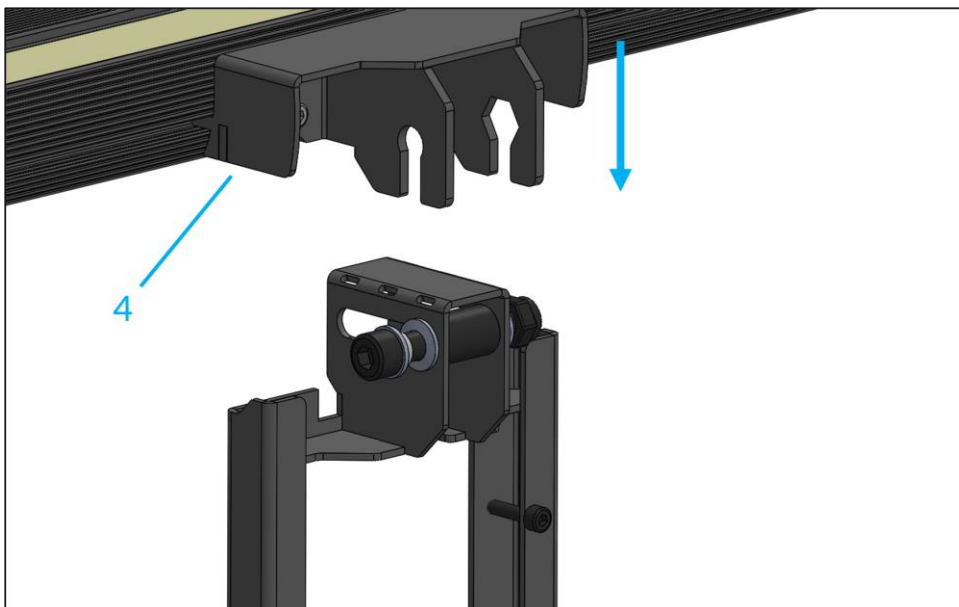
Step 5

Place the bolt, washer, spacer and nut on the position like this:



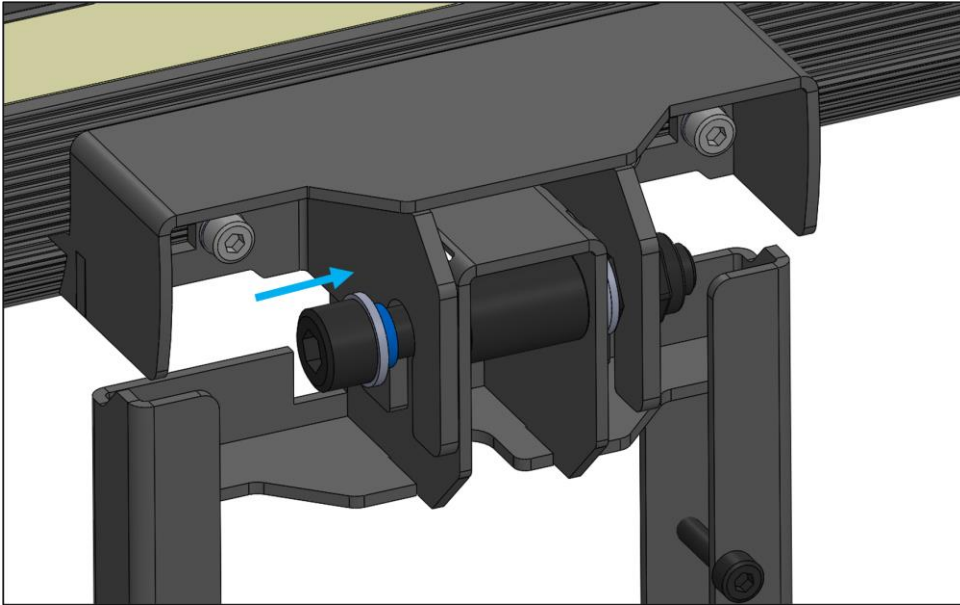
Step 6

Put the luminaire below onto the bolt



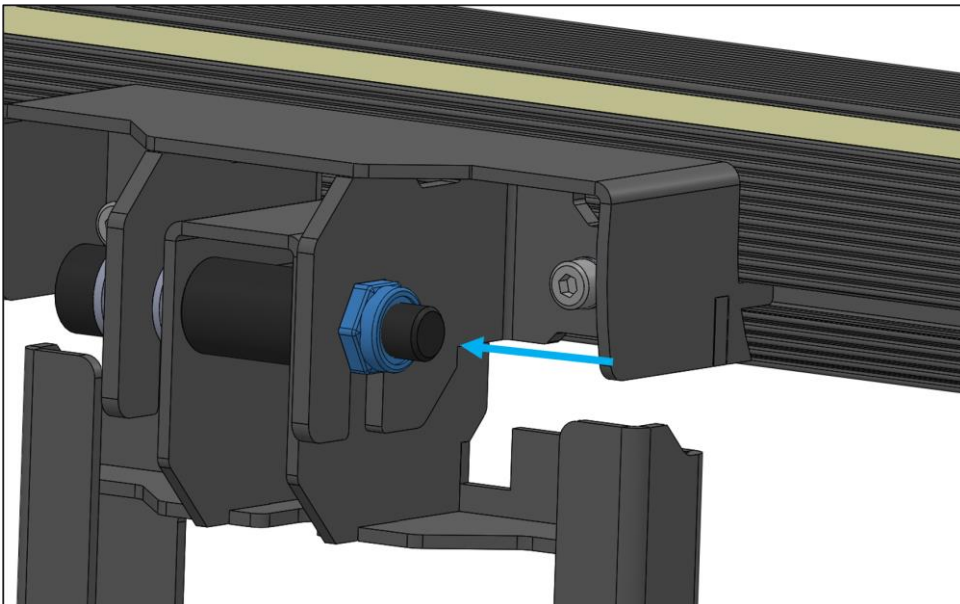
Step 7

Slide the spacerring to the right into the metal bracket



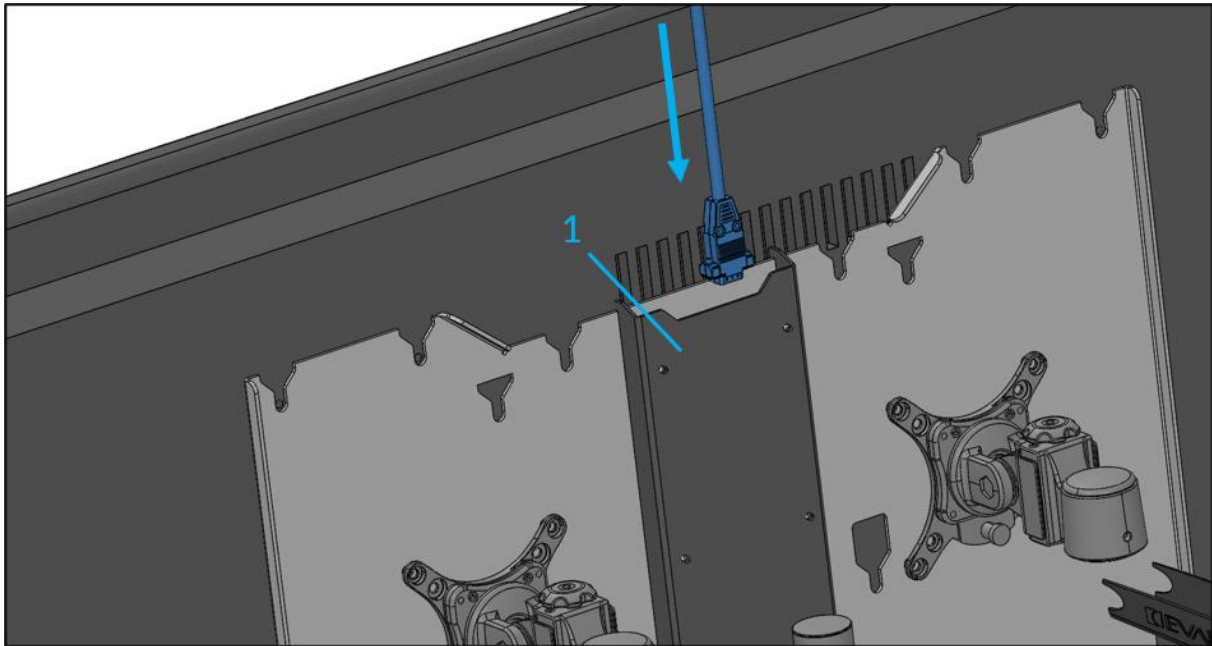
Step 8

Make sure the nut is also into the metal bracket



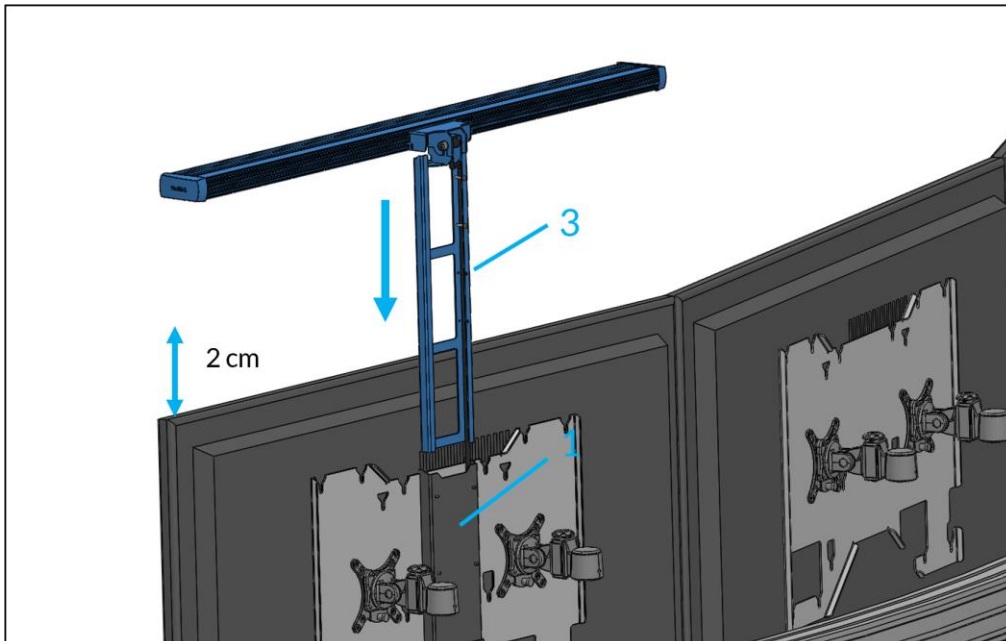
Step 9

Guide the cable through the mounting plate (Article 1)



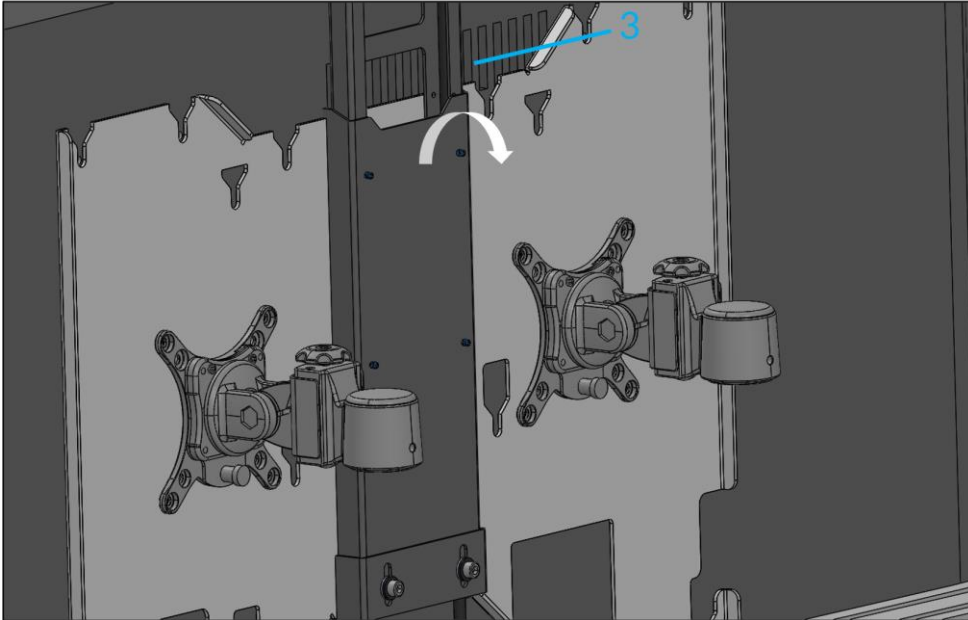
Step 10

Slide the armature with the bracket (Article 3) onto the mounting plate (Article 1)
Lower the luminaire until there is a distance of 2 cm between top screen and bottom luminaire



Step 11

Fix the bracket (Article 3) by tightening the four screws (BZK2)



Step 12

Guide the cable through the bracket (Article 3) and fix this by tightening the two screws (BZK2,5)

